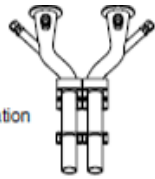


CDO 863 Parts

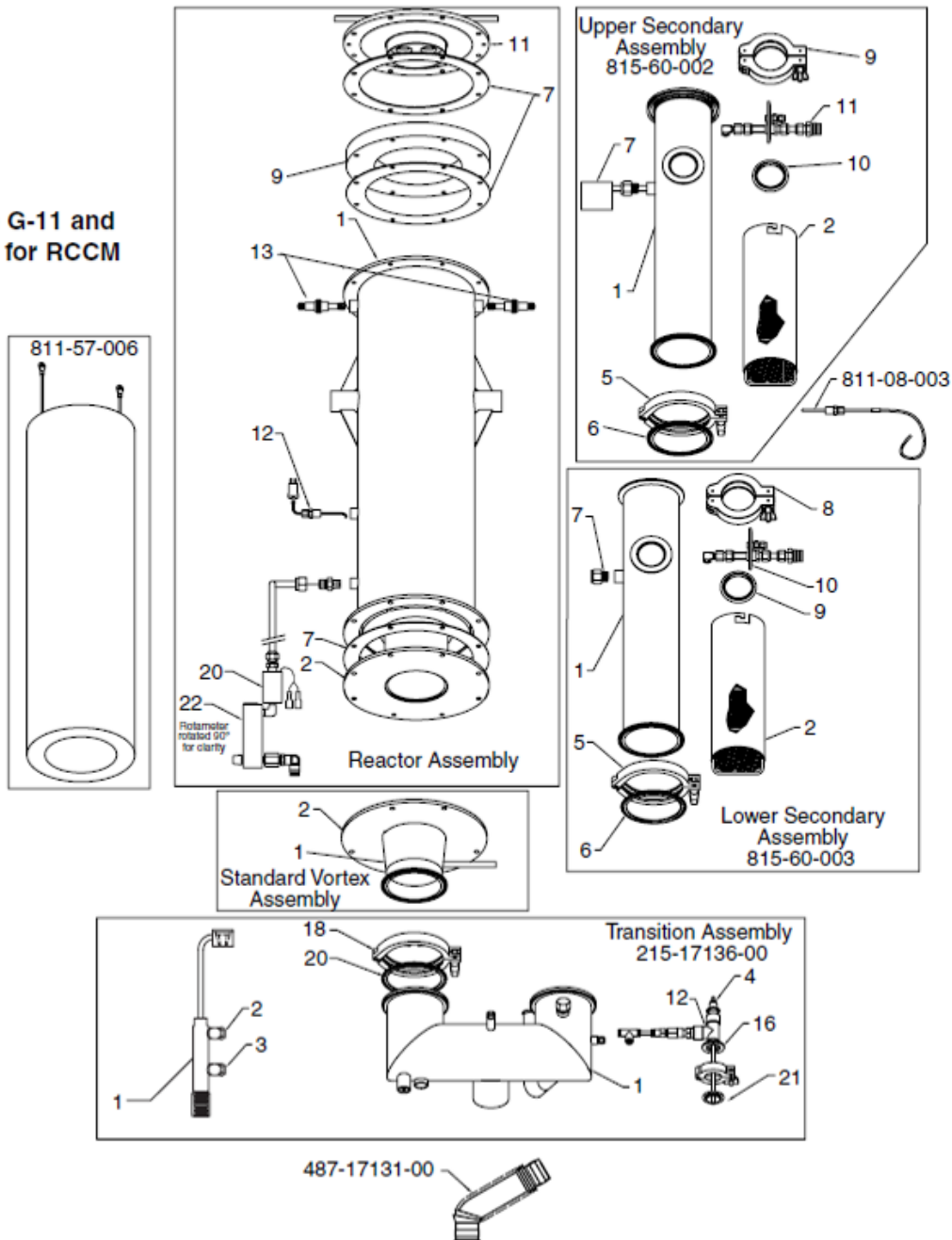


2-inlet configuration shown

KF 50 Dual Inlet 300-00206-00
 KF 40 Quad Inlet 300-00104-00

KF 50 Gasket 460-00149-00
 KF 40 Gasket 460-00144-00

See Figure G-11 and Table G-13 for RCCM Assembly.



Notes

- No entry in the **Part No.** column indicates the listed part is ordered and replaced as part of the given **Reports To** assembly.
- No entry in the **Reports To** column indicates the part is listed as an assembly in the **Part No.** column.
- The # symbol in the S column indicates the part is listed as a recommended spare at the end of this appendix.

Item	Description	Part No.	Reports to	S	Seq
Reactor Assembly					
1	BODY TUBE	422-57-002	215-17624-00		3
2	LINER, INCONEL	423-57-003	215-17624-00	#	4
7	GASKET, CDO FLANGE	464-16738-00	215-17624-00	#	1
9	SPACER, INLET, BODY TUBE, ADAPTOR	428-63-001	215-17624-00		2
11 ^a	INLET ADAPTER ASSEMBLY, 2" KF 50	215-17729-00			
11 ^b	ADAPTER, H2O INLET ASSEMBLY	215-10025-00			
12	THERMOCOUPLE, DUAL "K" TYPE	162-02-009	215-17624-00	#	9
13	FEED THRU, F-140 SPARK PLUG PWR	811-02-004			
20	SENSOR, N2 FLOW	113-20-001	215-17642-00		7
22	FLOWMETER, N2	533-50-001			
Standard Vortex Assembly					
1	VORTEX, SINGLE CHAMBER 601 INCONEL	422-59-012	165-10210-00		1
2	GASKET, INCONEL LINER LOWER FLANGE	464-16740-00	165-10210-00	#	2
Transition Assembly					
1	4" TRANSITION SECTION	278-17122-00	215-17136-00		1
2	ASSEMBLY, U-JET, HASTELOY	367-14508-00	215-17136-00		2
4	CONDUCTIVITY PROBE, 7 1/2" LONG	116-04-004	215-17136-00		4
12	TEE, 3/8" STREET	525-06-025	215-17136-00		12
16	FLANGE, KF 25, SINGLE, TAPPED, 3/8" NPT	528-16-001	215-17136-00		16
18	CLAMP, 4" DIAMETER, HINGED	548-64-002	215-17136-00		18
20	GASKET, SCRUBBING TOWER, VITON	513-64-001	215-17136-00		20
21	O-RING, KF 25, CENTERING	548-16-002	215-17136-00		21
Upper Secondary Assembly					
1	TOWER, UPPER, SECONDARY	423-62-003	815-60-002		1
2	HASTALLOY PACKING CARTRIDGE	814-62-002	815-60-002		2
5	CLAMP, 4" DIAMETER, HINGED	548-64-002	815-60-002		5
6	GASKET, SCRUBBING TOWER, VITON	513-64-001	815-60-002		6
7	ASSY, EXHAUST TEMP, 50 DEG, INCONEL	811-08-004	815-60-002		7
9	CLAMP, KF 50	548-32-001	815-60-002		9
10	O-RING, KF 50, VITON	548-32-003	815-60-002		10
11	FLANGE ASSEMBLY, UPPER, KF, INCONEL	815-08-028	815-60-002		11
Lower Secondary Assembly					
1	TOWER, LOWER, SECONDARY	423-62-002	815-60-003		1
2	HASTALLOY PACKING CARTRIDGE	814-62-002	815-60-003		2
5	CLAMP, 4" DIAMETER, HINGED	548-64-002	815-60-003		5
6	GASKET, SCRUBBING TOWER, VITON	513-64-001	815-60-003		6
7	CONNECTOR, MALE, 5/8"	595-10-001	815-60-003		7
8	CLAMP, KF 50	548-32-001	815-60-003		8
9	O-RING, KF 50, VITON	548-32-003	815-60-003		9
10	KF FLANGE ASSEMBLY, LOWER, INCONEL	815-08-027	815-60-003		10

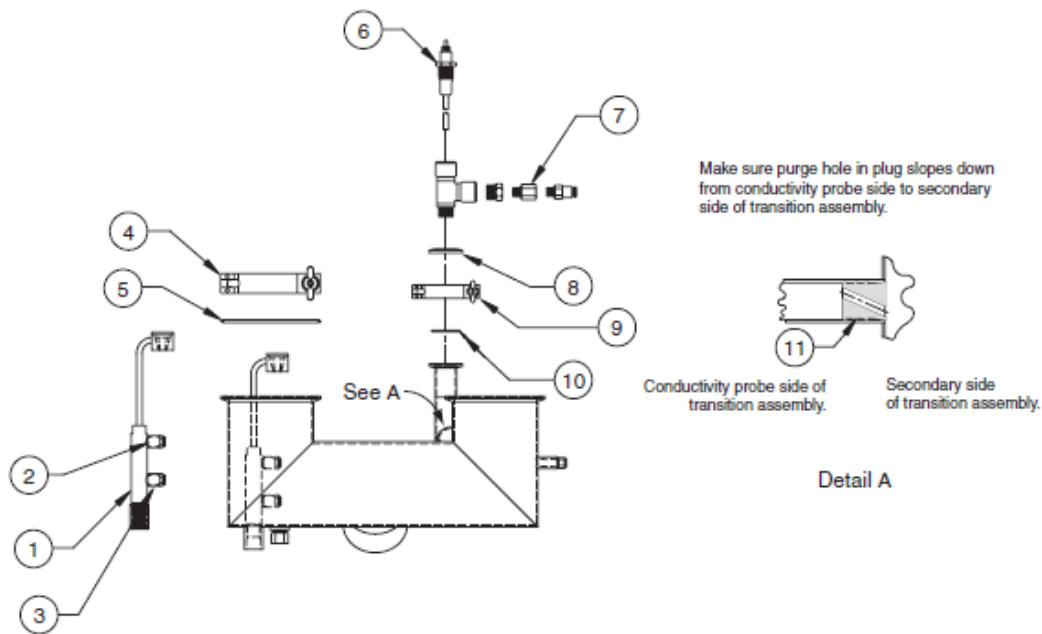


Figure G-2. Transition Assembly

Table G-2. Transition Assembly

Item	Symbol	Description	Part No.	Reports to	S	Seq
1		ASSY, U-JET W/ HASTELLOY CAP, LOW K	367-14508-00	215-17136-00		2
2		JET, 3/4 HASTELLOY CROSS OVER	751-02-027	215-17136-00		6
3		JET, HASTELLOY, 1/8 MNPT X 3/4 X 90 DEGREES, HASTELLOY	449-14864-00	215-17136-00		8
4		CLAMPS, TRICLOVER	548-64-002	215-17136-00	#	18
5		GASKET, SCRUBBING TOWER VITON	513-64-001	215-17136-00	#	20
6		CONDUCTIVITY PROBE 7 1/2-IN LONG	116-04-004	215-17136-00	#	4
7	FR 8	ORIFICE, 0.0122 1/8 NPT MXF	535-02-003	215-17625-00	#	14
8		FLANGE, KF 25 SINGLE TAPPED 3/8 IN NPT	528-16-001	215-17136-00	#	16
9		CLAMP, KF 25	548-16-001	215-17136-00	#	19
10		O-RING, KF 25 CENTERING, VITON, 316 SS	548-16-002	215-17136-00	#	21
11		PLUG, CROSSOVER PLUG CONDUCT PURGE	421-14-001	215-17136-00	#	22

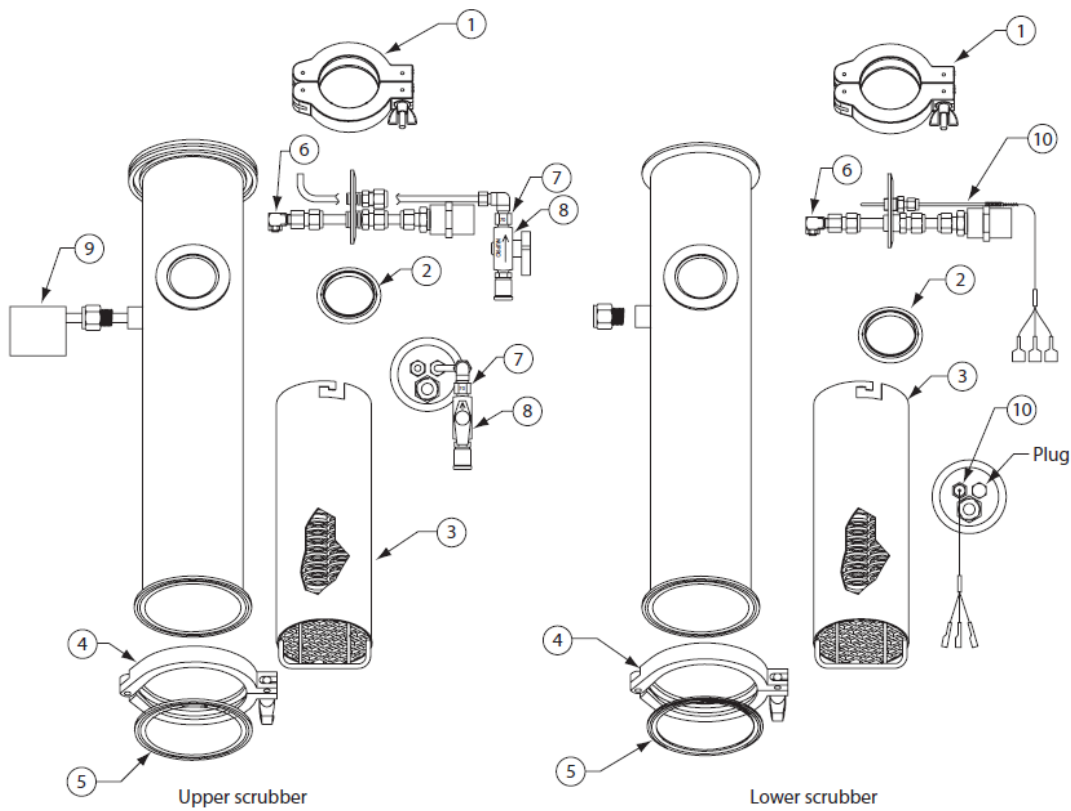
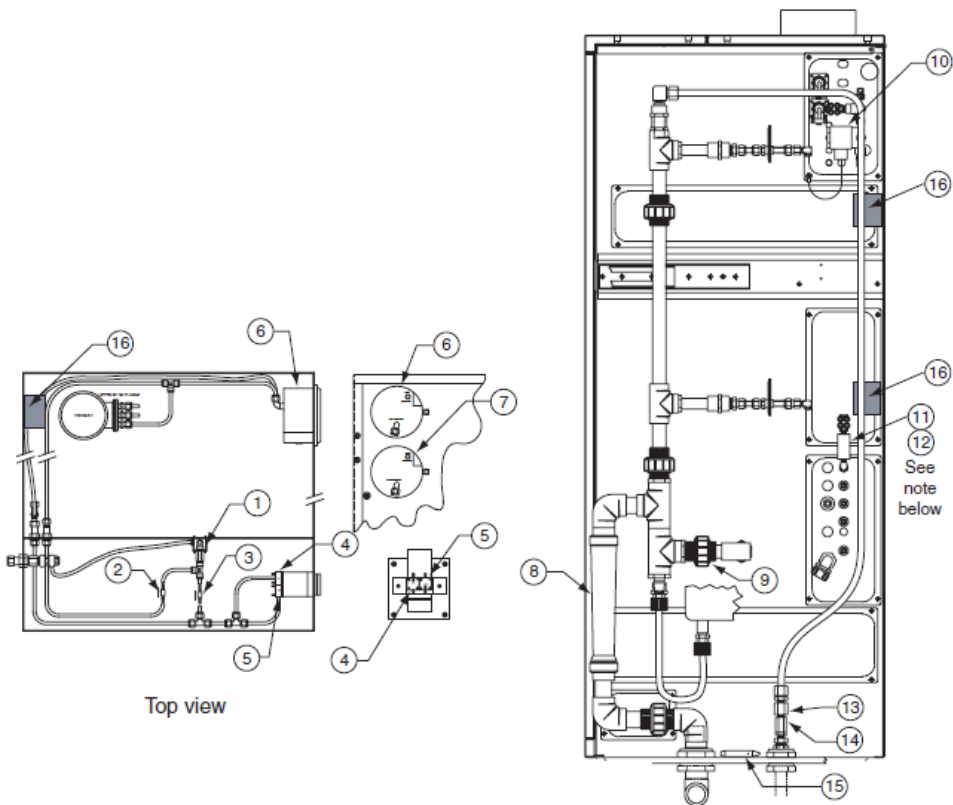


Table G-3. Upper Scrubber Parts

Item	Symbol	Description	Part No.	Reports to	S	Seq
1		CLAMP, KF 50	548-32-001	815-60-002	#	9
2		O-RING KF 50 VITON	548-32-003	815-60-002	#	10
3		HASTELLOY PACKING CARTRIDGE	814-62-002	815-60-002	#	2
4		CLAMP, 4" DIA, HINGED	548-64-002	815-60-002	#	5
5		GASKET, SCRUBBING TOWER VITON	513-64-001	815-60-002	#	6
6		JET, FULLJET NOZZLE, HASTELLOY	751-02-028	815-08-028		6
7	FR 6	ORIFICE, 0.070 1/8 NPT	535-02-022	815-08-028	#	8
8	MV 1	VALVE, 1/8 PLUG VALVE FEMALE	523-02-002	815-08-028		9
9	SW 13	ASSY, EXHAUST TEMP 50 DEGREE C	811-08-001	815-60-002		7

Table G-4. Lower Scrubber Parts

Item	Symbol	Description	Part No.	Reports to	S	Seq
1		CLAMP, KF 50	548-32-001	815-60-003	#	8
2		O-RING KF 50 VITON	548-32-003	815-60-003	#	9
3		HASTELLOY PACKING CARTRIDGE	814-62-002	815-60-003	#	2
4		CLAMP, 4" DIA, HINGED	548-64-002	815-60-003	#	5
5		GASKET, SCRUBBING TOWER VITON	513-64-001	815-60-003	#	6
6		JET, FULLJET NOZZLE, HASTELLOY	751-02-028	815-08-027		4
10	RTD 1	RTD PROBE W/INCONEL FITTING	811-08-003			



Right side view
 NOTE: Use Item 11 for systems with 1 or 2 KF40 inlets.
 Use Item 12 for systems with 3 or 4 KF40 inlets.
 Use Item 12 for systems with KF50 inlets.

Figure G-4. Cabinet Plumbing

Item	Symbol	Description	Part No.	Reports to	S	Seq
1	AV 2	REGULATOR, PRESSURE 5 PSI PRESET	552-02-011	165-17429-00		15
2	FR 5	ORIFICE, BARBED 0.003 1/4 TUBE	525-02-021	165-17429-00	#	23
3	FR 4	ORIFICE, BARBED 0.003 1/4 TUBE	525-02-021	165-17429-00	#	23
4	PS 2	SWITCH, PRESS. DIF., 0.4-0.6 IN WC, 15 PSIG	113-08-006	165-17429-00		9
5	PS 1	SWITCH, PRESSURE PRESET -10-IN WC	117-10-001	165-17429-00		11
6	PG 2	GAUGE, MAGNAHELIC NEG 0.5 TO POS 0.5	551-40-011	165-17429-00		25
7	PG 1	GAUGE, MAGNAHELIC NEG 0.5 TO POS 0.5	551-40-011	165-17429-00		25
8	FM 5	ASSY, FLOW METER, SW3	438-13371-00	215-15274-00		1
8	SW 3	ASSY, FLOW METER, SW3	438-13371-00	215-15274-00		1
9	FR 10	ORIFICE, 0.177-IN ID X 1.02-IN OD, PVC	426-16-003	815-11-018	#	23
10	SOL 6	SOLENOID, 100 PSI 24 AC 1/4 NPTF	151-24-021	815-10-009		8
11	SW 1	SENSOR, N2 FLOW 2.5 SLM SPST	113-02-001	215-17630-00		14
12	SW 1	SENSOR, N2 FLOW 20 SLM	113-20-001	215-17633-00		14
13	FR 7	ORIFICE, 0.052-IN 1/4-IN NPT SS	535-04-008	815-11-018	#	28
14	CV 3	VALVE, CHECK 1PSI 1.4 BOT NXF SS	523-04-008	815-11-018		27
15	SW 8	SWITCH, LOW LEVEL FLOAT, ADH BACK	116-02-002	215-12063-00		1
16	PT1, PT2	TRANSDUCER, PRESSURE, ±5 IN. WC, 0-5VDC OUTPUT	486-10545-00	165-17432-00		
--		ASSY, LIGHT TOWER	215-15704-00	165-17429-00		31

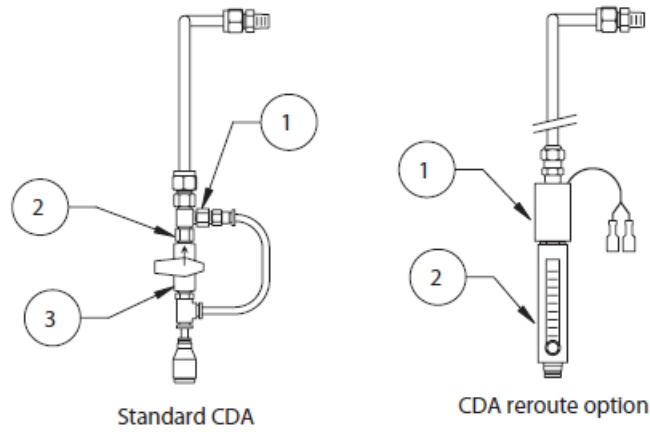


Figure G-5. Purge Assembly

Table G-6. Purge Assembly, Standard CDA

Item	Symbol	Description	Part No.	Reports to	S	Seq
1	FR 11	ORIFICE, 0.0122 1/8 NPT MXF	535-02-003	215-14656-00	#	6
2	FR 12	ORIFICE, 0.070 1/8 NPT	535-02-022	215-14656-00	#	5
3	MV 3	VALVE, 1/8 PLUG VALVE FEMALE	523-02-002	215-14656-00		7

Table G-7. Purge Assembly, CDA Reroute

Item	Symbol	Description	Part No.	Reports to	S	Seq
1	SW 2a	SENSOR, N2 FLOW 20 SLM	113-20-001	215-17627-00		4
2	FM 3	FLOW METER, N2	533-50-001	215-17627-00		7

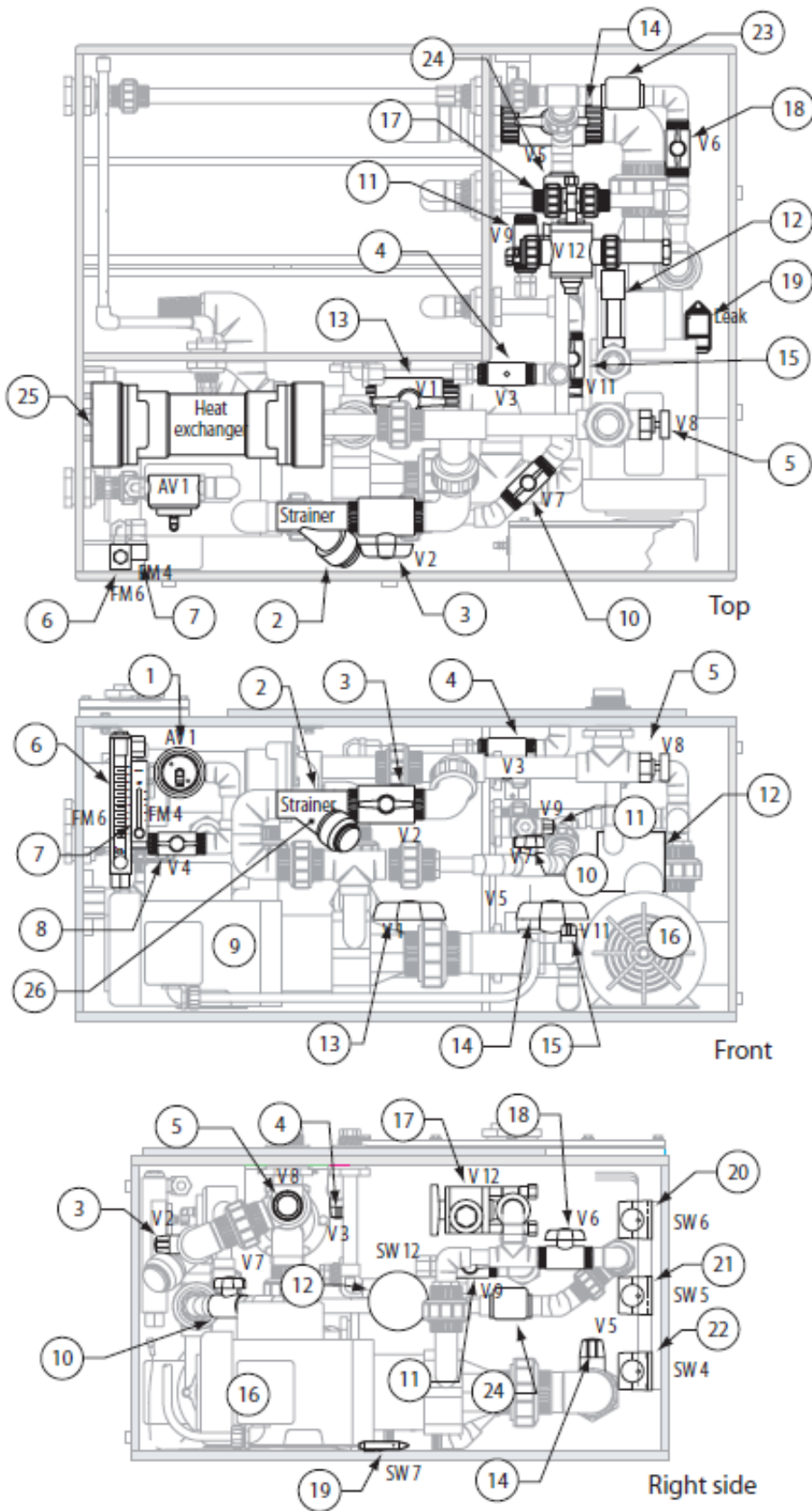


Figure G-6. Tank Enclosure Plumbing

Item	Symbol	Description	Part No.	Reports to	S	Seq
1	AV 1	VALVE, N.C. AIR OP H2O SHUT OFF	215-08-004	342-62-016		7
2	ST 1	STRAINER, WYE, 1-IN SOCKET, P20 MESH, CIR PVC	427-12493-00	342-62-006		1
3	V 2	VALVE, 1-IN PVC SOC	215-16-003	342-62-006		2
4	V 3	VALVE, 1/2-IN THD	215-08-001	342-59-010		1
5	V 8	VALVE, 1-IN PVC ANGLE 90 GLOBE	215-16-007	215-13375-00		1
6	FM 6	FLOW METER, 0.4-4 LPM	532-04-001	342-63-001		34
7	FM 4	FLOW METER	533-02-001	342-63-001		33
8	V 4	VALVE, 1/2-IN SOC	215-08-002	342-62-016		4
9	P 1	PUMP, M-10 115/208-230V 50/60HZ 1PHASE	152-24-023	215-17510-00		3
10	V 7	VALVE, 1/2-IN SOC	215-08-002	342-59-005		2
11	V 9	VALVE, 1/2-IN THD	215-08-001	342-59-009		1
12	SW 12	SWITCH, FLOW 0.1-1.0 GPM 1/4 FNPT 24VDC	113-04-009	342-63-003		2
13	V 1	VALVE, 1-1/2-IN SOC	215-24-003	342-59-012		1
14	V 5	VALVE, 1-1/2-IN SOC	215-24-003	342-59-003		1
15	V 11	VALVE, 1/2-IN SOC	215-08-002	342-59-002		1
	V 10	VALVE, 1/2-IN SOC	215-08-002	342-59-002		1
16	P 2	PUMP, M-10 115/208-230V 50/60HZ 1PHASE	152-24-023	215-17510-00		3
17	V 12	VALVE, BALL, 1/2-IN SXS, PNEUMATIC ACTUATION, PLASTOMATIC	492-17123-00	215-17535-00		1
18	V 6	VALVE, 1/2-IN SOC	215-08-002	215-17535-00		7
19	SW 7	SWITCH, LOW LEVEL FLOAT, ADH BACK	116-02-002	215-12352-00		1
20	SW 6	SENSOR, LIQUID LEVEL N/C MF2	116-24-004	811-13-016		1
21	SW 5	SENSOR, LIQUID LEVEL N/O MF1	116-24-001	811-13-017		1
22	SW 4	SENSOR, LIQUID LEVEL N/O MF1	116-24-001	811-13-017		1
23	CV 1	VALVE, 1/2-IN CHECK SWING SXS	215-08-007	215-17535-00		8
24	CV 2	VALVE, 1/2-IN CHECK SWING SXS	215-08-007	210-11072-00		5
25	HE 1	EXCHANGER, HEAT WATER COOLED	752-16-002	215-17510-00		4
26		SCREEN, 20 MESH, STRAINER, FOR 427-12493-00	427-14304-00		#	

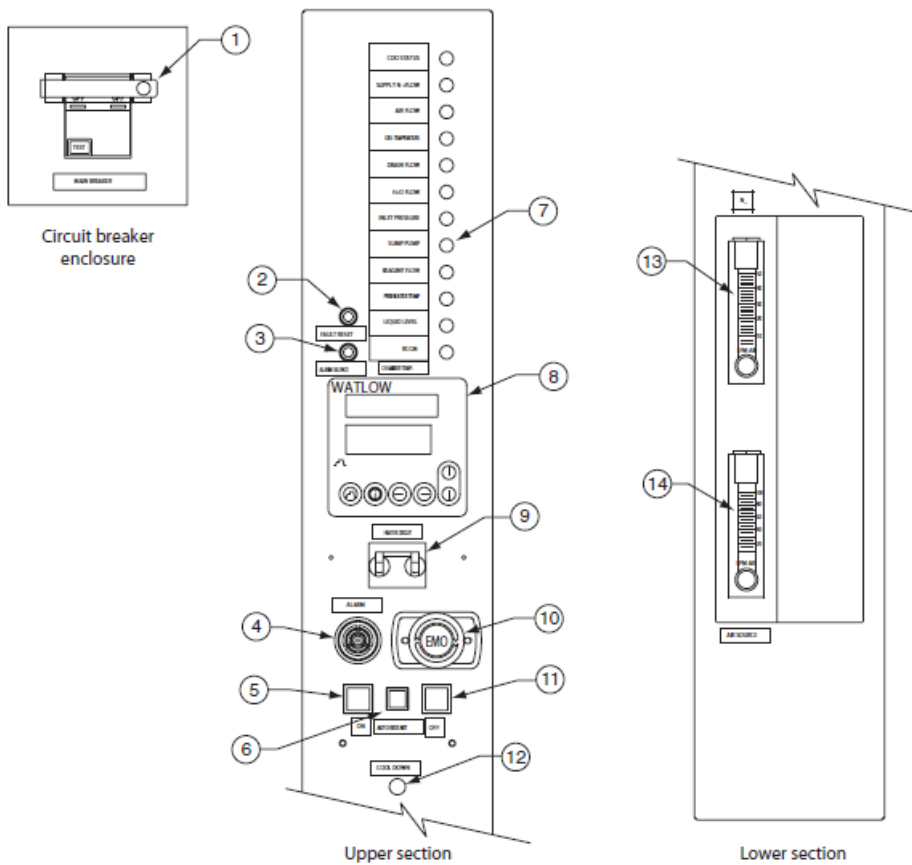


Figure G-7. Front Panel

Item	Symbol	Description	Part No.	Reports to	S	Seq
1	GFI	BREAKER, 50 A GFI CIRCUIT BREAKER	114-50-002	215-10077-00		2
2	PB 4	SWITCH, RESET	112-24-007	210-10281-00		5
3	PB 3	SWITCH, RESET	112-24-007	210-10281-00		5
4	AUD 1	ALARM, SONIC	126-24-001	210-10281-00		14
5	PB 1	SWITCH, PSHBTN, *N/O ILLUM GRN	112-12-003	210-10281-00		3
6	PB 5	SWITCH, LATCHING PSHON/PSHOFF ILLUM	112-24-003	210-10281-00		4
7	U 12	LED PC BOARD ASSY,12 CHANNEL	811-16-013	210-10281-00		13
8	U 9	CONTROLLER, TEMP, 1/4 DIN DUAL CHANNEL	161-12-006	210-10281-00		15
9	CB 1	BREAKER, 30 A 2 POLE	114-30-003	210-10281-00		10
10	EMO	CONTACT BLOCK, SWITCH, NC, XB4 PUSHBUTTON	579-15972-00	210-10281-00		8
11	PB 2	SWITCH, PSHBTN, *N/C ILLUM WHT	112-12-002	210-10281-00		2
12	LED 1	LAMP, YELLOW	122-24-016	210-10281-00		33
13	FM 1	FLOW METER, N2	533-50-001	210-10281-00		20
14	FM 2	FLOWMETER, 02	531-10-001	210-10281-00		18

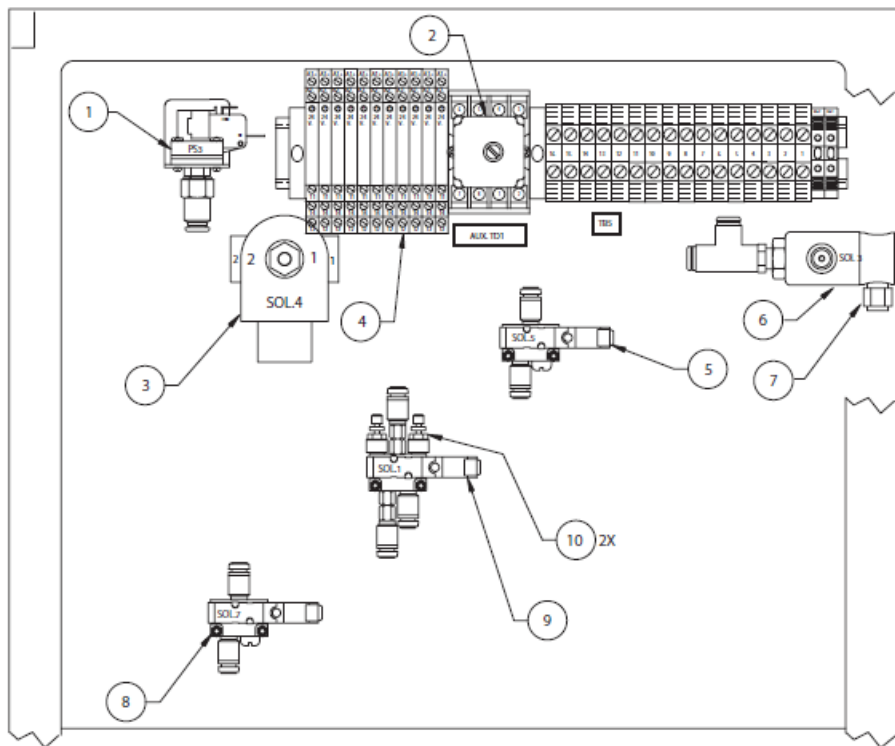


Table G-10. Electrical Drawer, Lower Section

Item	Symbol	Description	Part No.	Reports to	S	Seq
1	PS 3	SWITCH, PRESSURE, 60 PSI, 1/8 NPTM, NO	117-02-002	215-10027-00		44
2	TDR 1a	RELAY, 10-SECOND FIXED, ON DELAY	568-12292-00	215-10027-00		45
3	SOL 4	SOLENOID, O2 7121 24/60	151-24-003	215-10027-00		28
4	CR 2	RELAY, 24 VAC/DC SPDT DIN RAIL MT	134-24-002	215-10027-00		38
4	CR 3	RELAY, 24 VAC/DC SPDT DIN RAIL MT	134-24-002	215-10027-00		38
4	CR 5	RELAY, 24 VAC/DC SPDT DIN RAIL MT	134-24-002	215-10027-00		38
4	CR 6	RELAY, 24 VAC/DC SPDT DIN RAIL MT	134-24-002	215-10027-00		38
4	CR 7	RELAY, 24 VAC/DC SPDT DIN RAIL MT	134-24-002	215-10027-00		38
4	CR 8	RELAY, 24 VAC/DC SPDT DIN RAIL MT	134-24-002	215-10027-00		38
4	CR 10	RELAY, 24 VAC/DC SPDT DIN RAIL MT	134-24-002	215-10027-00		38
4	CR 11	RELAY, 24 VAC/DC SPDT DIN RAIL MT	134-24-002	215-10027-00		38
4	CR 12	RELAY, 24 VAC/DC SPDT DIN RAIL MT	134-24-002	215-10027-00		38
4	CR 13	RELAY, 24 VAC/DC SPDT DIN RAIL MT	134-24-002	215-10027-00		38
4	CR 14	RELAY, 24 VAC/DC SPDT DIN RAIL MT	134-24-002	215-10027-00		38
5	SOL 5	SOLENOID, 4 WAY VALVE	151-10-001	215-10027-00		22
6	SOL 3	SOLENOID, N2 24/60	151-02-002	215-10027-00		14
7	FR 2	ORIFICE, 0.035-IN 1/8 NPTM X 1/8 F SS	535-02-023	215-10027-00	#	15
8	SOL 7	SOLENOID, 4 WAY VALVE	151-10-001	215-10027-00		22
9	SOL 1	SOLENOID, 4 WAY VALVE	151-10-001	215-10027-00		22
10		CONTROLLER, SPEED	156-10-001	215-10027-00		21

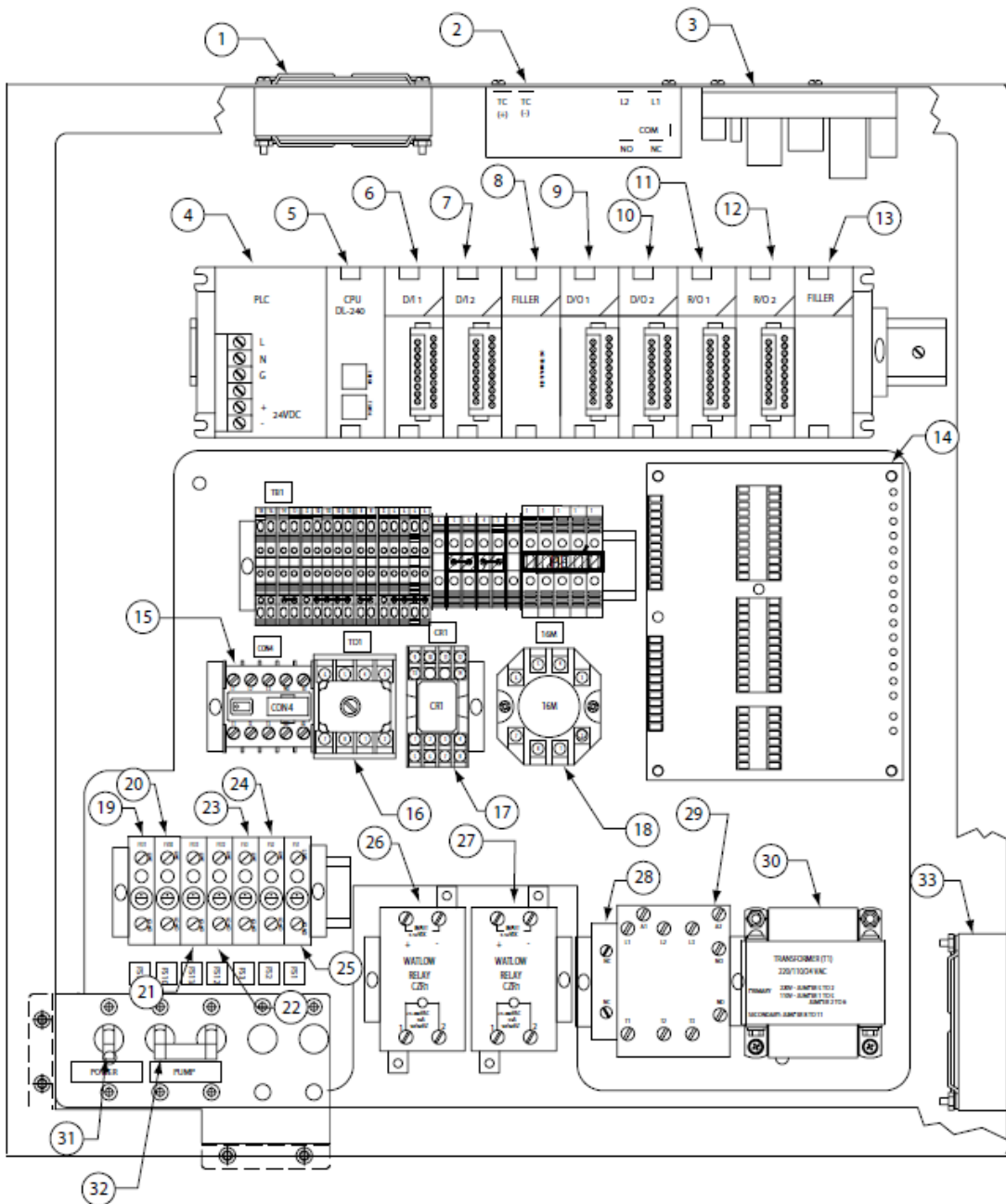


Figure G-9. Electrical Drawer, Upper Section

Table G-11. Electrical Drawer, Upper Section

Item	Symbol	Description	Part No.	Reports to	S	Seq
1	FAN 1	FAN, COOLING 3 5/8 35 CFM 120V	152-24-019	215-17527-00		11
2	U 8	LOW LIMIT SWITCH, 650 C	500-00242-00	215-17527-00		8
3	PWR 1	POWER SPLY, 24VDC, 1.2 A	185-24-004	215-17527-00		7
4	PWR 2	BASE, 9-SLOT, 110/220 SUPPLY	153-25-204	215-17527-00		20
5	U 7	CPU, DL240	153-25-102	165-17435-00		1
6	U 1	INPUT, 24V DC, 16PT	153-25-302	215-17527-00		18
7	U 2	INPUT, 24V DC, 16PT	153-25-302	215-17527-00		18
8		FILLER, MODULE PLC	153-25-001	165-17435-00		2
9	U 3	OUTPUT, 12-24V DC, 16PT, SOURCING	153-25-404	215-17527-00		17
10	U 4	OUTPUT, 12-24V DC, 16PT, SOURCING	153-25-404	215-17527-00		17
11	U 5	RELAY, 8 PT, 8 COMMONS	153-25-503	215-17527-00		16
12	U 6	RELAY, 8 PT, 8 COMMONS	153-25-503	215-17527-00		16
13		FILLER, MODULE PLC	153-25-001	165-17435-00		2
14	U 11	PCB, ALARM BOARD 15 CHANNEL	142-24-003	215-17605-00		2
15	CON 4	CONTACTOR, 1-3 PH, 115-600V, 20A, 1 NO 24VAC COIL	513-15177-00	215-17605-00		22
16	TDR 1	RELAY, TIME DELAY INTERVAL ON 5 S FIX	132-24-020	215-17605-00		19
17	CR 1	RELAY, HHAU17D11-24V DC PB	134-42-001	215-17605-00		20
18	U 10	RELAY, MODULE 16M, 24 VAC	568-10032-00	215-17605-00		21
19	FS 11	FUSE, 10 A SLOW BLOW 250 V	125-10-001	215-17605-00	#	37
20	FS 10	FUSE, 10 A SLOW BLOW 250 V	125-10-001	215-17605-00	#	37
21	FS 13	FUSE, 1 A LONG SLOW BLOW	125-01-004	215-17605-00	#	28
22	FS 12	FUSE, 1 A LONG SLOW BLOW	125-01-004	215-17605-00	#	28
23	FS 3	FUSE, 1/2 A	125-05-001	215-17605-00	#	30
24	FS 2	FUSE, 0.25 A 250 V TIME DELAY	125-02-003	215-17605-00	#	31
25	FS 1	FUSE, 6 A 250 V SLOW BLOW	125-06-001	215-17605-00	#	32
26	CZR 1	CONTROLLER, HEATER, 34A, 24VOLTS	514-10003-00	215-17527-00		24
27	CZR 2	CONTROLLER, HEATER, 34A, 24VOLTS	514-10003-00	215-17527-00		24
28		CONTACT, AUX NO/NC, SIDE MOUNT, DIN	513-10010-00	215-17605-00		23
29	MC	CONTACTOR, 32 A, 24 VAC DIN/ SCREW MOUNT	513-10012-00	215-17605-00		24
30	T 1	XFORMER, MULTI TAB 1 PHASE	186-04-001	215-17605-00		25
31	CB 3	BREAKER, 2 A	114-02-001	215-17509-00		15
32	CB 4	BREAKER, 15 A 10 DELAY CURV	114-15-001	215-17509-00		17
33	FAN 2	FAN, COOLING 3 5/8 35 CFM 120V	152-24-019	215-17527-00		11

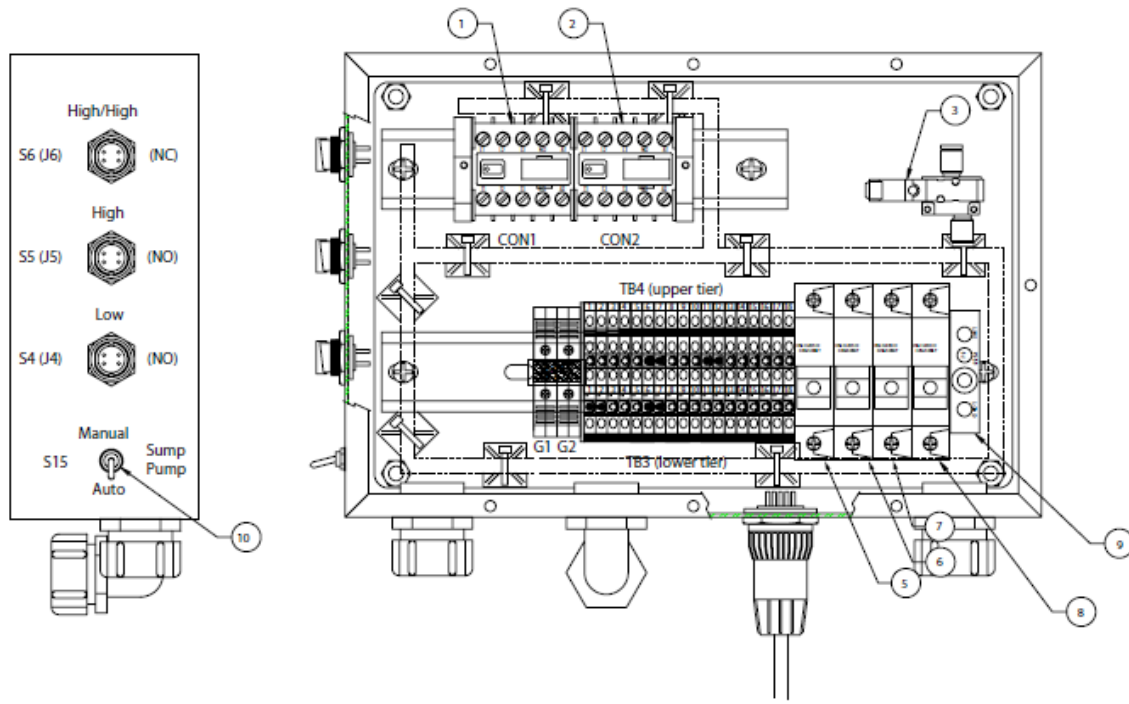


Figure G-10. Tank Electrical Enclosure

Table G-12. Tank Electrical Enclosure

Item	Symbol	Description	Part No.	Reports to	S	Seq
1	CON 1	CONTACTOR, 1-3 PH, 115-600V, 20A, 1 NO 24VAC COIL	513-15177-00	457-17127-00		4
2	CON 2	CONTACTOR, 1-3 PH, 115-600V, 20A, 1 NO 24VAC COIL	513-15177-00	457-17127-00		4
3	SOL 8	SOLENOID, 4 WAY VALVE	151-10-001	457-17127-00		49
5	FS 5	FUSE, CLASS CC, 15A, 100K AIC	500-00259-00	457-17127-00	#	23
6	FS 6	FUSE, CLASS CC, 15A, 100K AIC	500-00259-00	457-17127-00	#	23
7	FS 7	FUSE, CLASS CC, 15A, 100K AIC	500-00259-00	457-17127-00	#	23
8	FS 8	FUSE, CLASS CC, 15A, 100K AIC	500-00259-00	457-17127-00	#	23
9	FS 9	FUSE, 125 MA 250 VOLT	125-01-007	457-17127-00	#	24
10	SW 15	SWITCH, SPST SUBMINI TOGGLE	112-11-002	457-17127-00		12

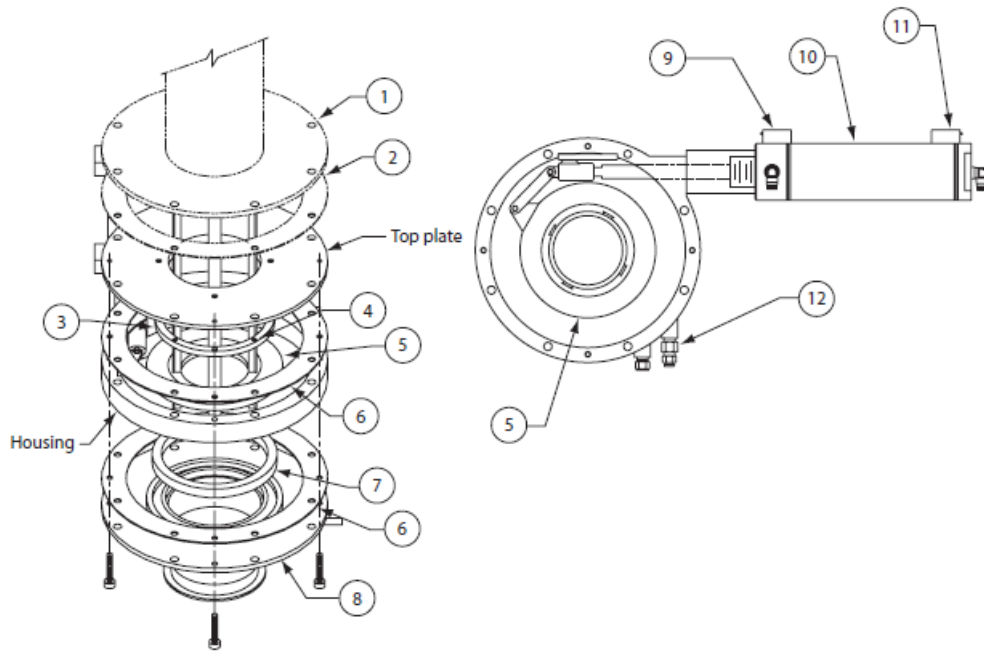


Figure G-11. RCCM Option

Table G-13. RCCM Option

Item	Symbol	Description	Part No.	Reports to	S	Seq
1		LINER, INCONEL	423-57-003	215-17624-00	#	4
2		GASKET, INCONEL LINER LOWER FLANGE	464-16740-00	165-10210-00	#	2
3		THRUST WASHER, GRAPHITE, RCCM/VORTEX	495-12391-00	321-16066-00	#	4
4		SPRING, COMPRESSION, .21 X .25 FREE LENGTH, 36.7	549-03-001	321-16066-00	#	8
5		BLADE ASSY, FOUR, 27 IN, RCCM/VORTEX	215-10067-00	321-16067-00		2
6		GASKET, RCCM/VORTEX	460-00142-00	321-16066-00	#	6
7		BUSHING, GRAPHITE, RCCM/VORTEX	292-12392-00	321-16066-00	#	3
8		VORTEX, RCCM	422-59-015	321-16066-00		1
9	SW 16	SWITCH REED, MAGNETIC	110-24-002	321-16067-00		7
10		AIR CYLINDER MOD, GEN 5 RCCM	305-12390-00	321-16067-00		3
11	SW 17	SWITCH REED, MAGNETIC	110-24-002	321-16067-00		7
12	FR 13	ORIFICE, 0.019 1/4 NPT	466-12581-00	321-16067-00	#	13

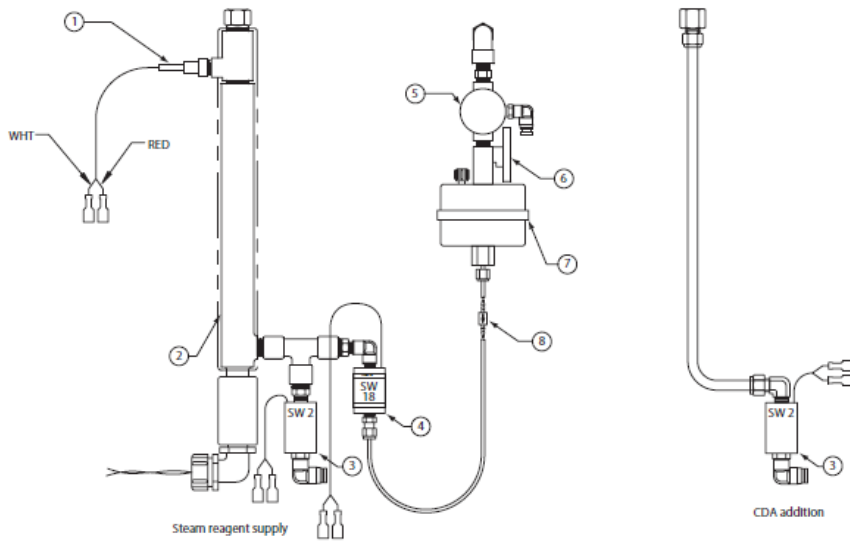


Figure G-12. Steam Reagent Supply/CDA Addition

Table G-14. Preheater with Standard CDA

Item	Symbol	Description	Part No.	Reports to	S	Seq
1	TC 2	THERMOCOUPLE W/ COMP FITTING, TYPE K (SPARE FOR 533-10383-00)	533-15414-00		#	
2	HR 2	HEATER, 1.2KW 240V, PASSIVATED 316LSS W/ "B", TYPE K	533-10383-00	165-17424-00	#	1
3	SW 2	SENSOR, O2/CDA 50 SLM	111-50-001	165-17424-00		6
4	SW 18	SWITCH, FLOW 2 MILS PER MIN, 1/8 FNPT, NO	483-12105-00	165-17424-00		5
5	AV 3	VALVE, DIAPHRAGM, PNEU. CONTROL, TEF 1/4 NPTF	492-11032-00	215-10020-00		4
6	MV 2	PLUG VALVE, 1/4 MNPT X 1/4 FNPT	523-04-011	215-10020-00		5
7	FIL 1	FILTER, 10 MICRON, 1/4 NPTM	427-11034-00	215-10020-00	#	6
8	FR 1	ORIFICE, 0.004-IN BARB 1/16-IN, ID FLEX, 1/8 OD, PO	466-12103-00	165-17424-00	#	21

Table G-15. Preheater with CDA Reroute

Item	Symbol	Description	Part No.	Reports to	S	Seq
1	TC 2	THERMOCOUPLE W/ COMP FITTING, TYPE K (SPARE FOR 533-10383-00)	533-15414-00		#	
2	HR 2	HEATER, 1.2KW 240V, PASSIVATED 316LSS W/ "B", TYPE K	533-10383-00	165-17423-00	#	1
3	SW 2	SENSOR, N2 FLOW 20 SLM	113-20-001	165-17423-00		6
4	SW 18	SWITCH, FLOW 2 MILS PER MIN, 1/8 FNPT, NO	483-12105-00	165-17423-00		5
5	AV 3	VALVE, DIAPHRAGM, PNEU. CONTROL, TEF 1/4 NPTF	492-11032-00	215-10020-00		4
6	MV 2	PLUG VALVE, 1/4 MNPT X 1/4 FNPT	523-04-011	215-10020-00		5
7	FIL 1	FILTER, 10 MICRON, 1/4 NPTM	427-11034-00	215-10020-00	#	6
8	FR 1	ORIFICE, 0.004-IN BARB 1/16-IN, ID FLEX, 1/8 OD, PO	466-12103-00	165-17423-00	#	21

Table G-16. CDA Addition Only

Item	Symbol	Description	Part No.	Reports to	S	Seq
3	SW 2	SENSOR, O2/CDA 50 SLM	111-50-001	165-17425-00		5

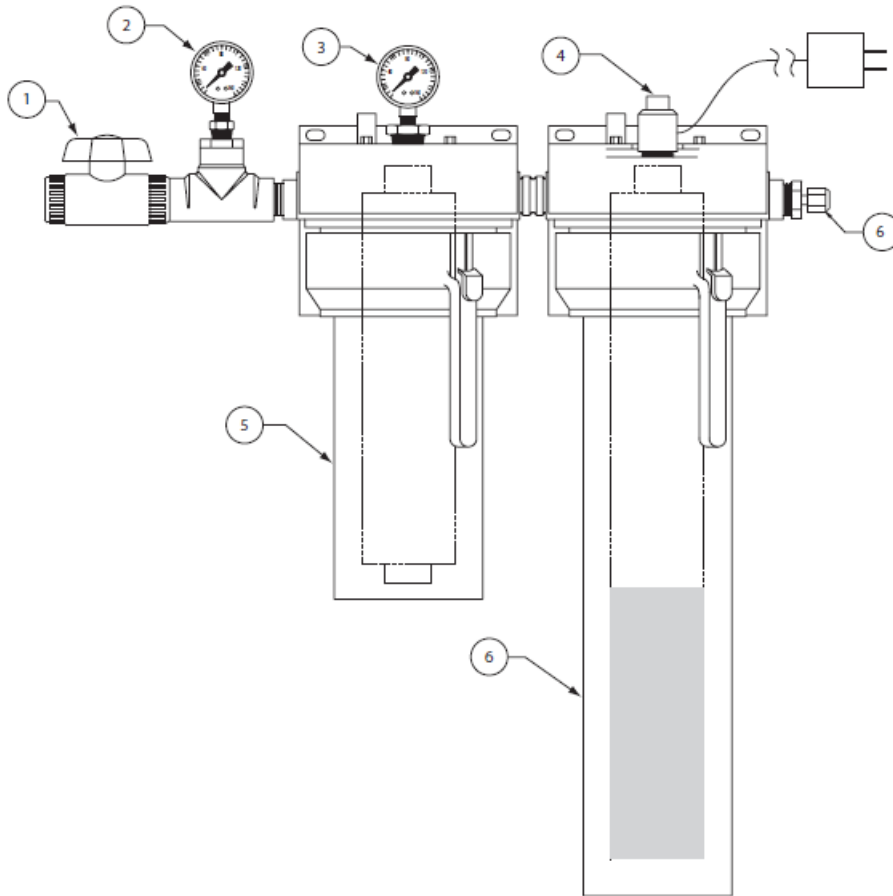


Figure G-13. Deionized Water Supply Option

Table G-17. Deionized Water Supply Option

Item	Symbol	Description	Part No.	Reports to	S	Seq
1	MV 4	VALVE, 1/2-IN THD	215-08-001	215-10034-00		5
2	PG 3	GAUGE, PRESSURE KIT	438-10892-00	215-10034-00		9
3	PG 4	GAUGE, PRESSURE KIT	438-10892-00	215-10034-00		9
4	U 13	MONITOR, 120 VAC, 50 K OHMS-CM 1/2 INCH NPTM	518-10037-00	215-10034-00		3
5	FIL 2	CARTRIDGE, FILTER 1/2 INCH NPTF, 100 PSIG	427-10870-00	215-10034-00	#	8
6	FIL 3	CARTRIDGE, HIGH CAP, 43.7 CM x 8.6 CM, 2-BED	427-10036-00	215-10034-00	#	1

G.1 Recommended Spares

Table G-18 lists the recommended spare parts for the CDO 863 Exhaust Gas Treatment System.

Table G-18. Spares Parts Kit (155-16766-00, Rev. D)

Item	Part Description	Part Number	Quantity
1	THERMOCOUPLE, DUAL "K" TYPE	162-02-009	1
2	THERMOCOUPLE, FITTING	533-10574-00	1
3	GASKET, SCRUBBING TOWER VITON	513-64-001	3
4	O-RING, KF-40, VITON	511-24-001	4
5	O-RING, KF 25 CENTERING, VITON, 316 SS	548-16-002	1
6	O-RING KF 50 VITON	548-32-003	2
7	SCREEN, 20 MESH, STRAINER, FOR 427-12493-00	427-14304-00	1
8	LINER, INCONEL	423-57-003	1
9	GASKET, INCONEL LINER	464-16740-00	1
10	GASKET, CDO FLANGE	464-16738-00	3
11	GASKET, KF-40 INLET, CDO 863	460-00144-00	4
12	ASSY, U-JET W/HASTELLOY	367-14508-00	1
13	JET, 3/4 HASTELLOY, CROSS	751-02-027	1
14	JET, HASTELLOY, 1/8 MNPT	449-14864-00	1
15	JET, FULLJET NOZZLE	751-02-028	2
16	FUSE, 125 MA 250 VOLT	125-01-007	1
17	FUSE, 1/2 A	125-05-001	1
18	FUSE, 0.25 A 250 V TIME DELAY	125-02-003	1
19	FUSE, 6 A 250 V SLOW BLOW	125-06-001	1
20	FUSE, 10 A SLOW BLOW 250 V	125-10-001	1
21	FUSE, CLASS CC, 15A, 100K AIC	500-00259-00	1
22	FUSE, 1 A LONG SLOW BLOW	125-01-004	1
23	ORIFICE, 0.004-IN BARB 1/16-IN, ID FLEX, 1/8 OD, PO	466-12103-00	3
24	ASSY, HEATER	811-57-006	1