

## Vector 3000 Parts List

Additional parts are available other than those listed in this doc, including copy-exactly, and custom parts.

**Table D-1. Parts List**

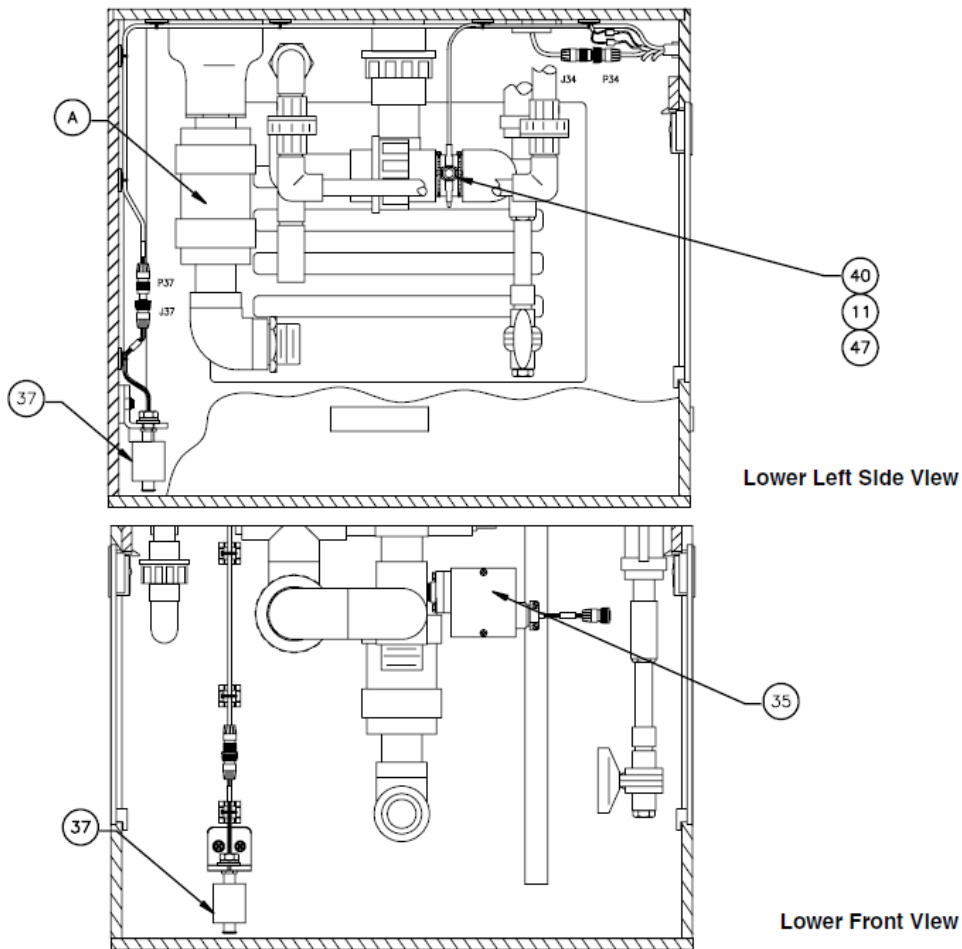
Table No.	Description	Part Number
D-1	Spare Parts Kit Inventory	6663-00
D-2	PM Parts Kit	6664-00
D-3	Vector 3000Top Assembly	6148-00
D-4	Pump Motor Assembly	6474-00
D-5	Rear Panel Assembly	215-15280-00
D-6	Control Box Assembly	215-13238-00
D-7	Instrument Panel Door Assembly	215-17671-01
D-8	Make-up Water Assembly	215-12508-01
D-9	Polishing Scrubber	6720-00
D-10	Entry Body Assembly, Type 9	4482-01
D-11	Entry Body Assembly, Type 8	5285-01

**Table D-2. Spare Parts Kit Inventory (6663-00, Rev. F)**

Item	Description	Quantity	Part Number
1	Valve, 3/4" Air, Normally Closed, PVC, Edpm Seal	1	214-12-012
2	Thermostat, Universal, SPST, 120V 95/65	1	0692-03
3	Switch, Sump Level, 4-Snsr	1	483-14364-00
4	Switch, Sump Overflow	1	6459-00
5	Solenoid Assembly	1	6544-00
6	Valve N.C. Air Operated H2O Shut Off	1	215-08-004
9	Spray Hub Assembly, Defoaming	1	5297-01
10	Flowmeter, Water, Valved	1	0509-15
11	Pressure Switch Assembly	1	6570-00
12	Switch, Flow, Liquid, 1/4 NPT	1	0729-05
13	Relay, PCB, DPDT, 24Vdc, 5A	1	4164-00
14	LED, Indicator W/Diode	1	4165-00
15	Kit, PM Parts, Vector 3000	1	6664-00
The following items are not part of assembly 6663-00			
	Light Tower Assembly	1	6552-00
	Liquid Level Switch	1	6566-00
	Pump/Motor Assembly (see Table D-5)	1	6474-00

**Table D-3. PM Parts Kit (6664-00, Rev. C)**

Item	Description	Quantity	Part Number
1	Kit, Viton Pump Seal	1	6427-00
2	Tape, Pipe Joint, Teflon	1	0080-01
3	Gasket, Neoprene, 1.0"ID, 2.75"OD, 1/16" Thick	1	5409-01
4	Orifice, PVC, 5/8" ID	1	5408-01
5	Orifice, PP, High Pressure Negative	4	1566-01
6	Cartridge Assembly, Polishing	1	6733-00
7	Nozzles, Betefog, 3/8" MPT	8	5421-04
10	O-Ring Viton 2 1/4" OD X 2"ID	2	464-11143-00
11	Screw, Thumb, Nylon, 1/4-20 x 1" Long	12	6696-07



**Table D-4. Vector 3000 Top Assembly (6148-00, Rev. W)**

Item	Description	Quantity	Part Number
11	Cable Tie, Nylon, 18Lb, 3.9" Lg (PLT1M)	9	423-0006-00
35	Switch Assembly, Pressure	1	6570-00
37	Switch Assembly, Liquid Level, Pump Cavity	1	6566-00
40	Thermostat, Universal, SPST, 120V 95/65	1	0692-03
47	Sealant, Silicone, 1pt RTV, Black, 3.0 Fl Oz Tube	0.01	3498-01
A	Valve, Ball, True U, 1-1/2 SOC/THD	1	0072-07

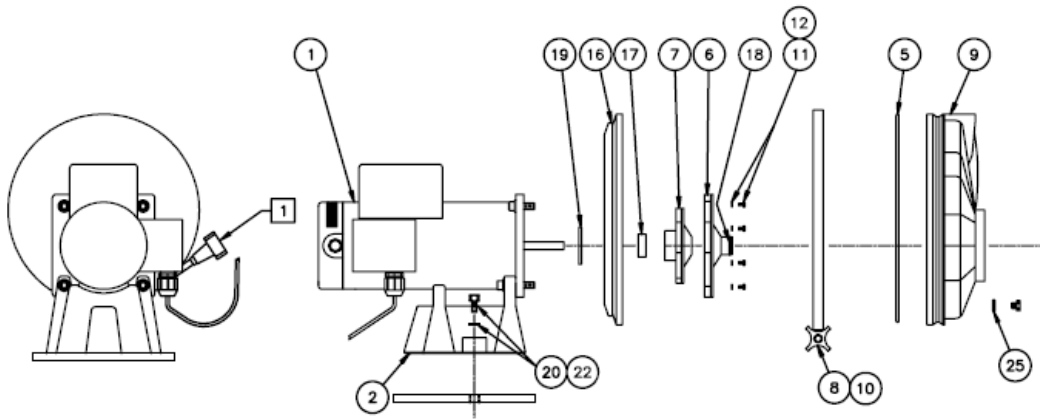


Table D-5. Pump Motor Assembly (6474-00, Rev. D)

Item	Description	Quantity	Part Number
1	Motor, 1.5HP, 3PH	1	6718-00
2	Motor Base, PE Series Pump, Open Drip	1	0339-02
5	O-Ring, Viton	1	0355-02
6	Diffuser, Pump	1	0529-04
7	Impeller, 4"	1	0528-05
8	Clamp, Pump Motor	1	0319-00
9	Pump, Tank Body	1	0320-00
10	Knob, V-Clamp	1	0457-00
11	Screw, Machine, SL Round Head, SS, 8-32 x .875	5	0328-11
12	Washer, Lock, External Star, SS, #8	5	0329-04
15	Washer, Flat, SS, #3/8, 1.000 OD x .083 Thick	2	0593-16
16	Seal, Plate Kit	1	6460-00
17	Seal, Viton, 5/8" Shaft	1	1964-01
18	O-Ring, Viton, Diffuser	1	2719-01
19	Water Slinger, Viton	1	2720-01
22	Bolt, Hex Head, SS, 3/8-16 x 1.500L	2	0085-04
25	O-Ring, .5" Viton #206	1	511-08-002

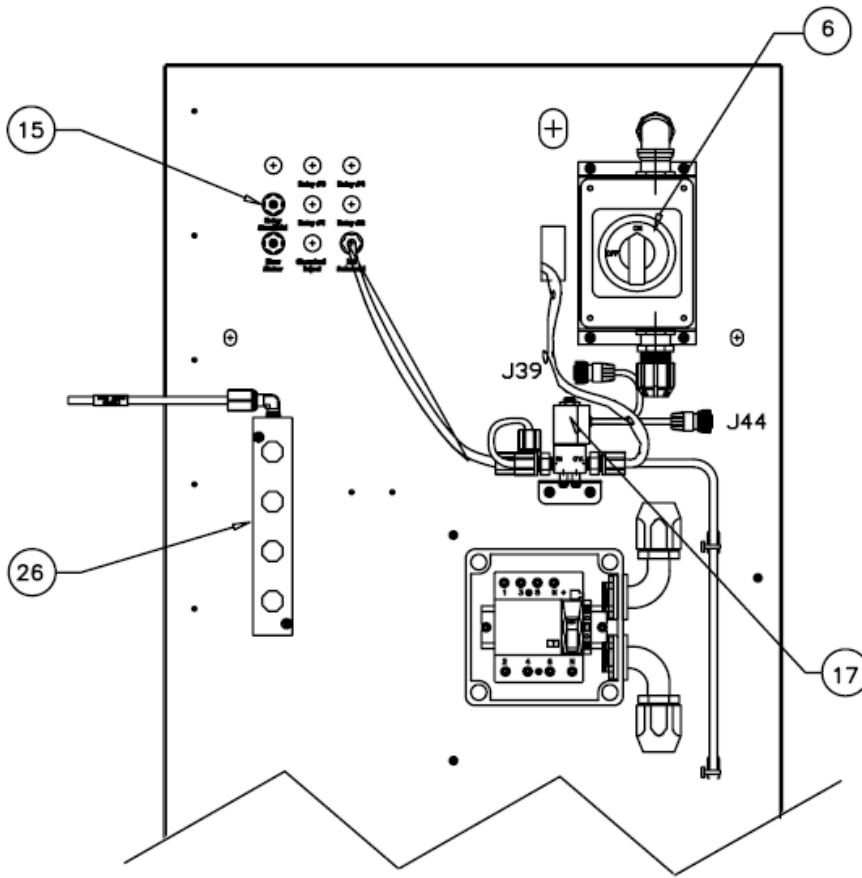
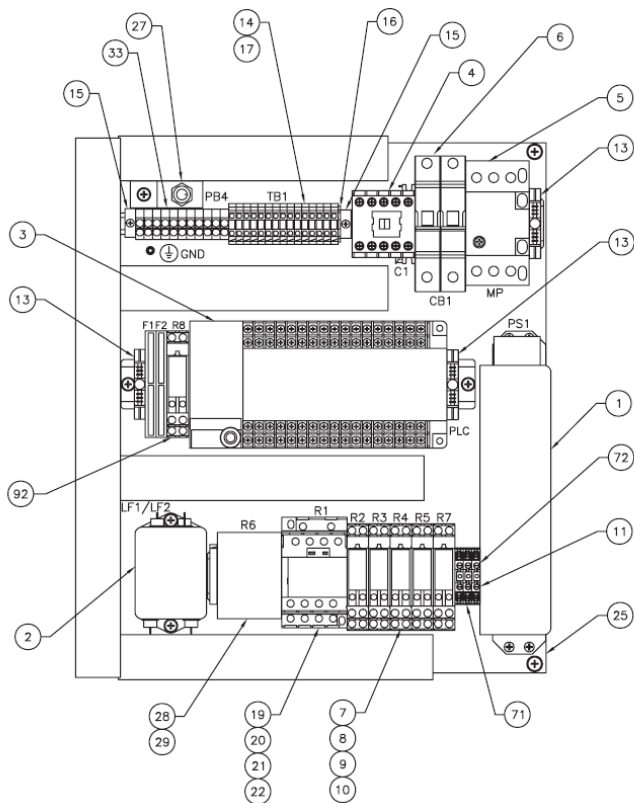


Table D-6. Rear Panel Assembly (215-15280-00, Rev. B)

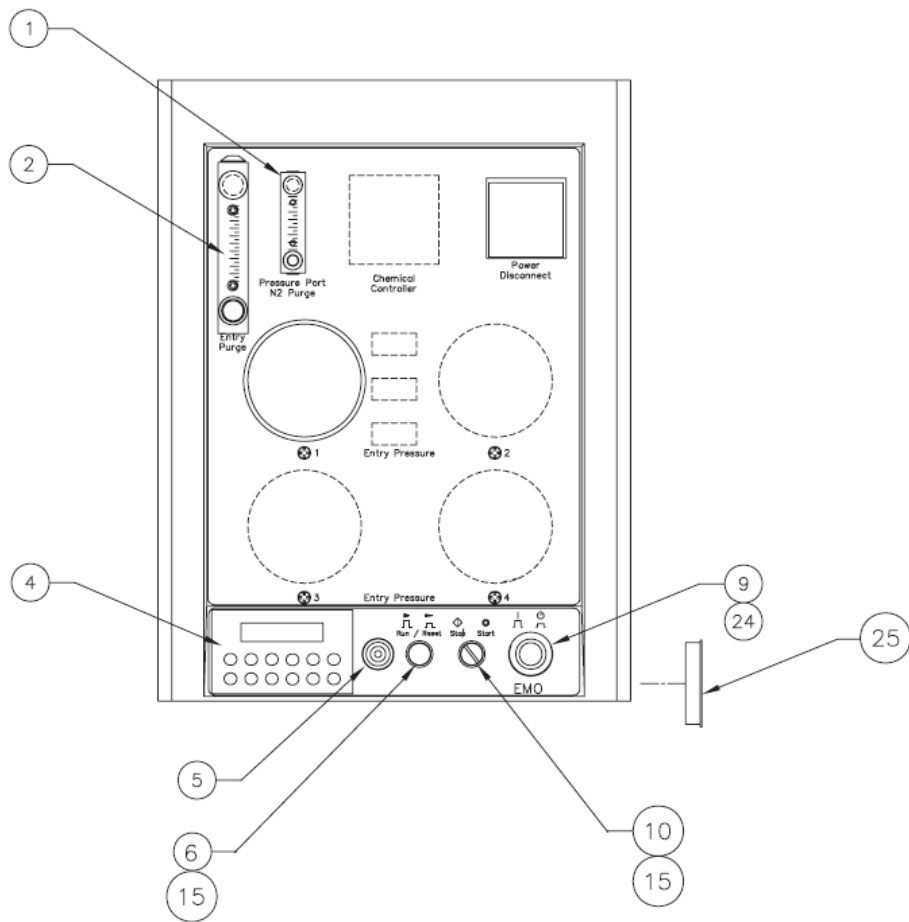
Item	Description	Quantity	Part Number
6	Switch, Enclosed Disconnect, ON-OFF	1	5428-00
15	Union, Bulkhead, PP, 1/4 ODT	4	6561-00
17	Solenoid Assembly	2	6544-00
26	Manifold Assembly, N2 Photohelics	1	6542-00



**Table D-7. Control Box Assembly (215-13238-00, Rev. B)**

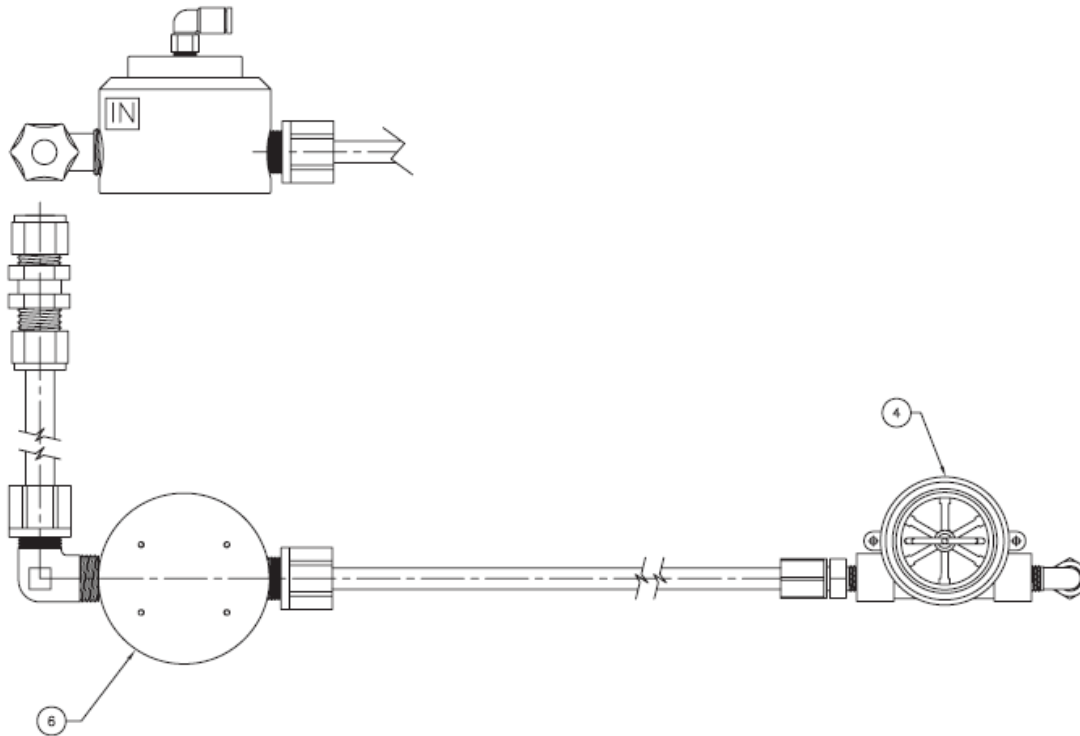
Item	Description	Quantity	Part Number
1	Power Supply, 85-264 Vac IN, 24Vdc Out, 100 W, CE	1	529-13663-00
2	Filter, Line, 6A, 120/250 Vac	1	3872-00
3	PLC, 24 I/O, 24 Vdc	1	6308-01
4	Contactor, Motor, SZ A, 3P, 7A, 380/415V, 50Hz	1	6470-03
5	Motor Protector, Adjustable, Man, 4.00-6.30A	1	0127-09
6A*	Circuit Breaker, Mini, 1P, 4A, 208-230 Vac	1	6468-04
6B*	Circuit Breaker, Mini, 1P, 4A, 380 Vac	1	7093-06
6C*	Circuit Breaker, Mini, 1P, 4A, 460 230 Vac	1	0877-06
7	Relay, PCB, DPDT, 24Vdc, 5A	5	4164-00
8	Socket, Relay, PCB	5	4163-00
9	Retaining Clip, Metal, Socket 95.83.1/95.85.1	5	6465-01
10	LED, Indicator W/Diode, 12-24Vdc	5	4165-00
14	Terminal Block, MBK2, 5/E	17	4166-00
17	Terminal Block, Bridge Bar, 10 POS.	11	4170-00
19	Relay, 4PDT, 12A, 24Vdc	1	6467-00
20	Socket, DIN Rail Snap-on, Relay 56.34	1	6466-00
21	Retaining Clip, Metal, Socket 96.74	1	6465-00
22	Indicator, LED/Diode, Relay Soc, Plug-in	1	0886-01
27	Switch, Push button, Momentary, N/O, W/Screw Terminal	1	6918-00
28	Socket, Relay, 8P, DIN Rail, 600V, Fingersafe	1	7078-00
29	Relay, Reverse Phase, 190-480Vac, SPDT	1	7077-00
33	Terminal Block, Ground, 15MM, WOERTZ 2721	11	4404-01
71	Terminal Block, 10-22GA, 600V, 30A, 35MM DIN	2	6917-00
72	Ground Block, DIN Rail Mount, 10AWG	1	3862-00
91	Fan, 24 Vdc	1	152-24-002
92	Relay, 24 Vac/Dc, SPDT, DIN Rail Mount	2	134-24-002

NOTE: \*Circuit Breaker usage (Item 6A, 6B or 6C) is determined by system voltage configuration.



**Table D-8. Instrument Panel Door Assembly (215-17671-01, Rev. B)**

Item	Description	Quantity	Part Number
1	Air Flowmeter, 0.6-5 LPM	1	6755-00
2	Air Flowmeter Valve	1	6528-11
4	Operator Panel Display	1	518-16613-00
5	Sonalert Horn	1	2367-00
6	Switch, PB, Black, Non-Illuminating	1	6030-00
9	Switch, PB Latch	1	0756-02
10	Switch, Two Position, Non-Illuminating	1	4312-01
15	Contact Block	2	0897-02
24	Shroud, Mushroom PB, Half	1	3299-01
25	Handle, Recessed 1.4 Panel	1	7074-00



**Figure D-6. Make-up Water Assembly (215-12508-01, Rev. G)**

**Table D-9. Make-up Water Assembly (215-12508-01, Rev. G)**

Item	Description	Quantity	Part Number
4	Make-Up Water Flow Switch	1	0729-05
6	Valve, N.C. Air Operated H2O Shut Off (Item 6 in Table D-2)	1	215-08-004

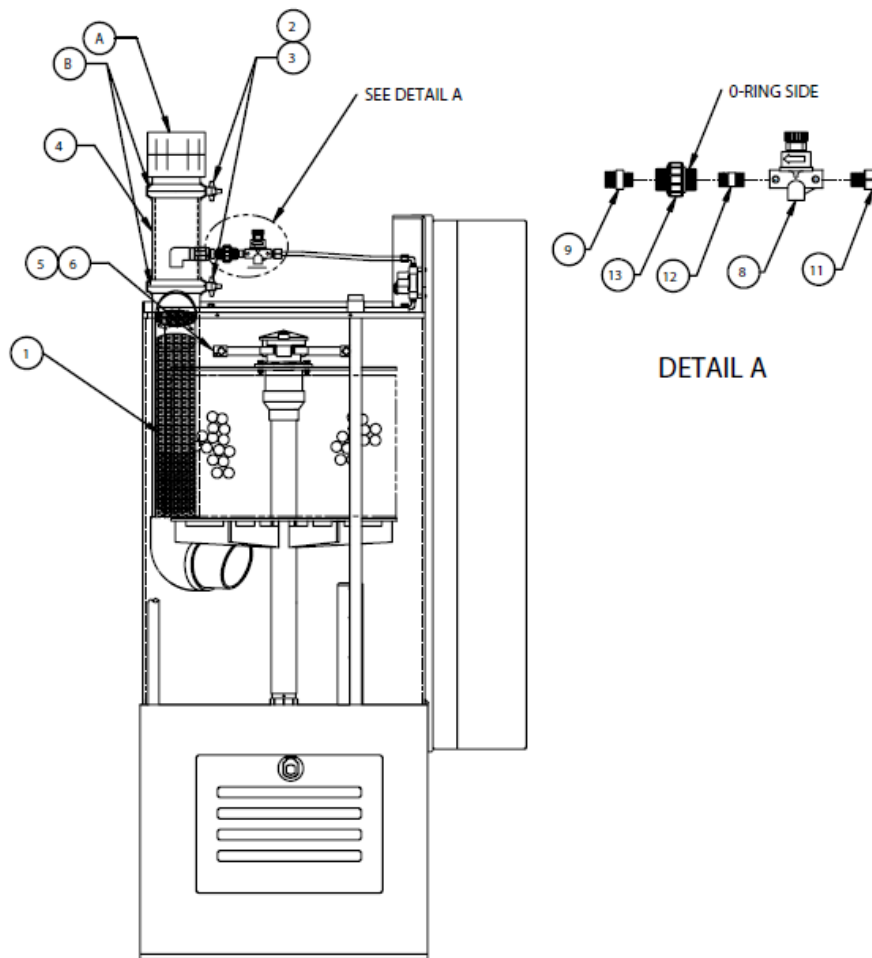
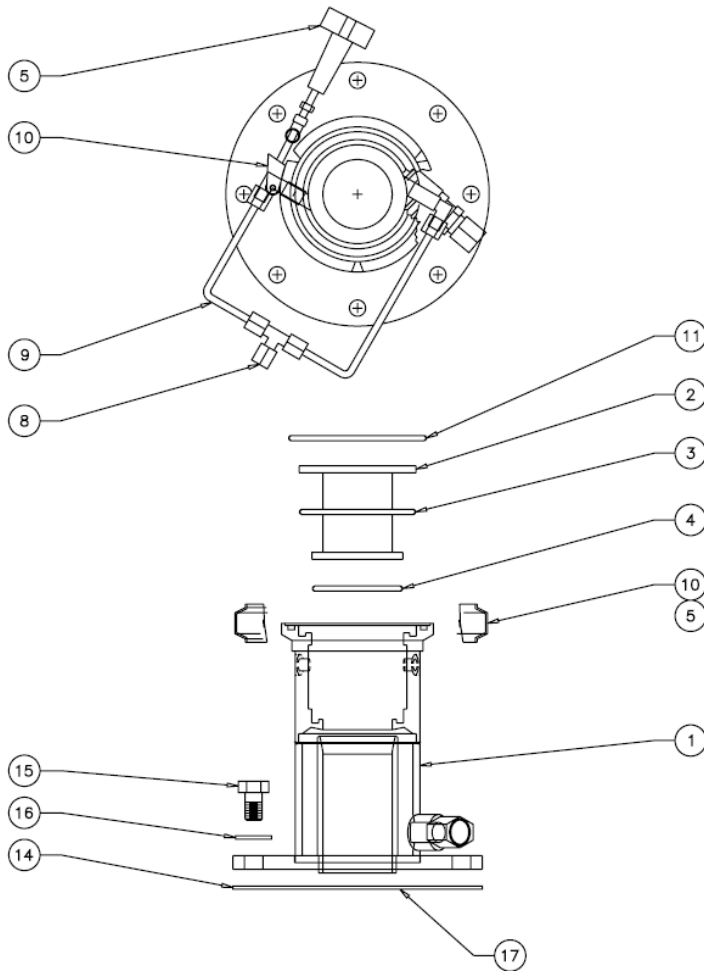


Table D-10. Polishing Scrubber (6720-00, Rev. G)

Item	Description	Quantity	Part Number
1	Cartridge Assembly, Polishing Scrubber	1	6733-00
2	Clamp, V-Band, Quick Release, SS	1	0556-01
3	Knob, V-Clamp	1	0457-00
4	Scrubber Assembly, Polishing	1	6724-00
5	Plug, PP, Sch80, Black, 1/2MNPT	1	0342-04
6	Tape, Pipe Joint, Teflon	8	0080-01
8	Valve, Needle, PVC, 1/4" FNPT	1	492-13529-00
9	Red Bush, PVC, Sch80, 1/2 X 1/4 NPT	1	0023-02
11	Fitting, Male, 3/8 T X 1/4 NPT, Kynar	1	429-13385-07
12	Nipple, PVC, Schedule 80, 1/4MNPT X Close	2	0030-01
13	Union, PVC, Schedule 80, EDPM Seal, FPT/FPT, 1/4"	1	0137-01
A	O-Ring	2	0807-42
B1	Socket Connection PVC 4**	1	6728-00
B2	FNPT PVC 4**	1	210-12046-00

\* Use either B1 or B2.



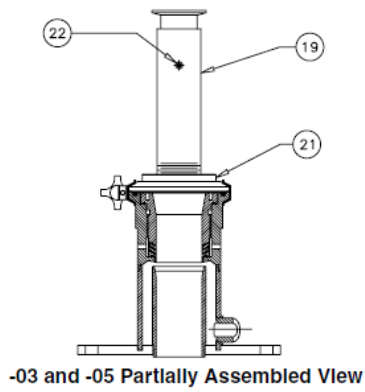
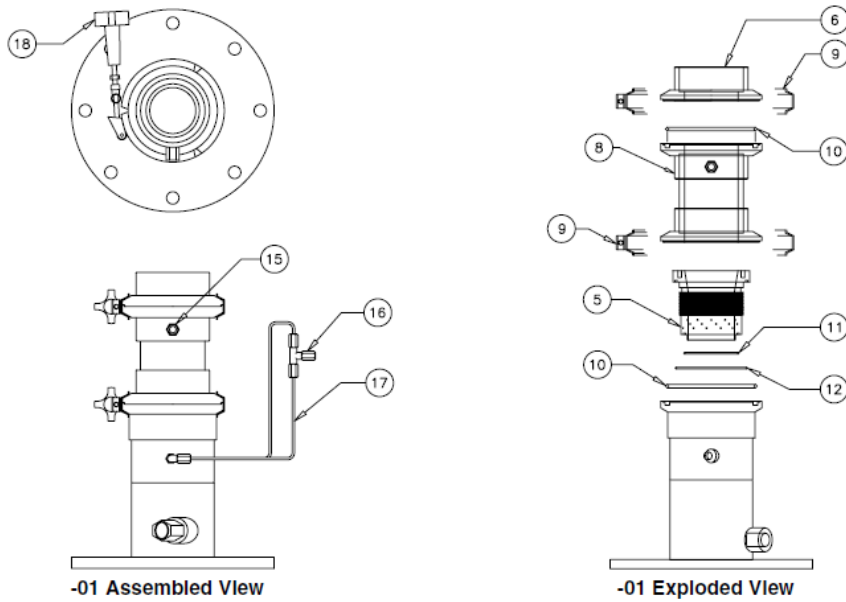


**Table D-11. Entry Body Assembly, 4", Type 9 (4482-01, Rev. B)  
Entry Body Assembly, 6", Type 9 (4482-02, Rev. B)**

Item	Description	Quantity	Part Number
1A*	Entry Body Assembly, 4" Flange, Top/Bottom, Type 9	1	4543-01
1B*	Entry Body Assembly, 6" Flange, Top/Bottom, Type 9	1	4543-02
2	Insert, Porous, .094 Wall, Type 9	1	4541-01
3	O-Ring, Neoprene, 50Dur, .210 C.S.Dia(-336)	1	0807-28
4	O-Ring, Neoprene, 50Dur, .210 C.S.Dia(-344)	1	0807-36
5	Knob, V-Clamp	1	0457-00
8	Tee, Union/Comp, White PP, 1/4T	1	0227-01
9	Tubing, PE, NAT, 1/4OD, 1/8ID, 1/16 Wall	1	0071-02
10	Clamp, V-Band, Quick Release, SS	1	0556-01
11	O-Ring, Neoprene, 50Dur, .210 C.S.Dia (-350)	1	0807-42
14A**	Gasket, Flange, Full Face, Neoprene, 4.0"	1	0068-09
14B**	Gasket, Flange, Full Face, Neoprene, 6.0"	1	0068-10
15	Bolt, Hex Head, Nylon, 5/8-11X	8	0082-17
16	Washer, Flat, Nylon, 5/8ID	8	0691-15
17	Silicone Lubricant, 13	.001	665-12562-00

Note: \*Entry Body Assembly usage is either Item 1A or 1B, depending on entry inlet configuration (4 or 6 inch).

\*\*Flange Gasket usage is either item 14A or 14B, depending on entry inlet configuration (4 or 6 inch).



**Table D-12. Entry Body Assembly, Type 8 (5285-01, Rev. E)**

Item	Description	Quantity	Part Number
5	Insert, Threaded, Nitrogen	1	1514-00
9	Clamp, V-Band, Quick Release, SS	1	0556-01
10	O-Ring, Neoprene, 50Dur, .210 C.S.Dia(-350)	2	0807-42
11	O-Ring, Neoprene, 50Dur	1	0808-49
12	O-Ring, Neoprene, 50Dur	1	0808-53
16	Tee, Union/Comp, White PP, 1/4T	1	0227-01
17	Tubing, PE, NAT, 1/4OD, 1/8ID, 1/16 Wall	1	0071-02
18	Knob, V-Clamp	1	0457-00
23	Bolt, Hex Head, Nylon, 5/8-11X	8	0082-17
24	Washer, Flat, Nylon, 5/8ID	8	0691-15
25	Gasket, Flange, Full Face, Neoprene, 4.0	1	0068-09
	Silicone Lubricant, 13	.001	665-12562-00

**Table D-13. Entry Body Assembly, Type 8 (5285-03, Rev. E)**

<b>Item</b>	<b>Description</b>	<b>Quantity</b>	<b>Part Number</b>
5	Insert, Threaded, Nitrogen	1	1514-00
9	Clamp, V-Band, Quick Release, SS	1	0556-01
10	O-Ring, Neoprene, 50Dur, .210 C.S.Dia(-350)	1	0807-42
11	O-Ring, Neoprene, 50Dur	1	0808-49
12	O-Ring, Neoprene, 50Dur	1	0808-53
16	Tee, Union/Comp, White PP, 1/4T	1	0227-01
17	Tubing, PE, NAT, 1/4OD, 1/8ID, 1/16 Wall	1	0071-02
18	Knob, V-Clamp	1	0457-00
19	Adapter, SS, ISO-MPT, NW40 X	1	3175-01
23	Bolt, Hex Head, Nylon, 5/8-11X	8	0082-17
24	Washer, Flat, Nylon, 5/8ID	8	0691-15
25	Gasket, Flange, Full Face, Neoprene, 4.0	1	0068-09
	Silicone Lubricant, 13	.001	665-12562-00

**Table D-14. Entry Body Assembly, Type 8 (5285-05, Rev. E)**

<b>Item</b>	<b>Description</b>	<b>Quantity</b>	<b>Part Number</b>
5	Insert, Threaded, Nitrogen	1	1514-00
9	Clamp, V-Band, Quick Release, SS	1	0556-01
10	O-Ring, Neoprene, 50Dur, .210 C.S.Dia(-350)	1	0807-42
11	O-Ring, Neoprene, 50Dur	1	0808-49
12	O-Ring, Neoprene, 50Dur	1	0808-53
16	Tee, Union/Comp, White PP, 1/4T	1	0227-01
17	Tubing, PE, NAT, 1/4OD, 1/8ID, 1/16 Wall	1	0071-02
18	Knob, V-Clamp	1	0457-00
19	Adapter, SS, ISO-MPT, NW50 X	1	3175-02
23	Bolt, HXYD, Nylon, 5/8-11X	8	0082-17
24	Washer, Flat, Nylon, 5/8ID	8	0691-15
25	Gasket, Flange, Full Face, Neoprene, 4.0	1	0068-09
	Silicone Lubricant, 13	.001	665-12562-00